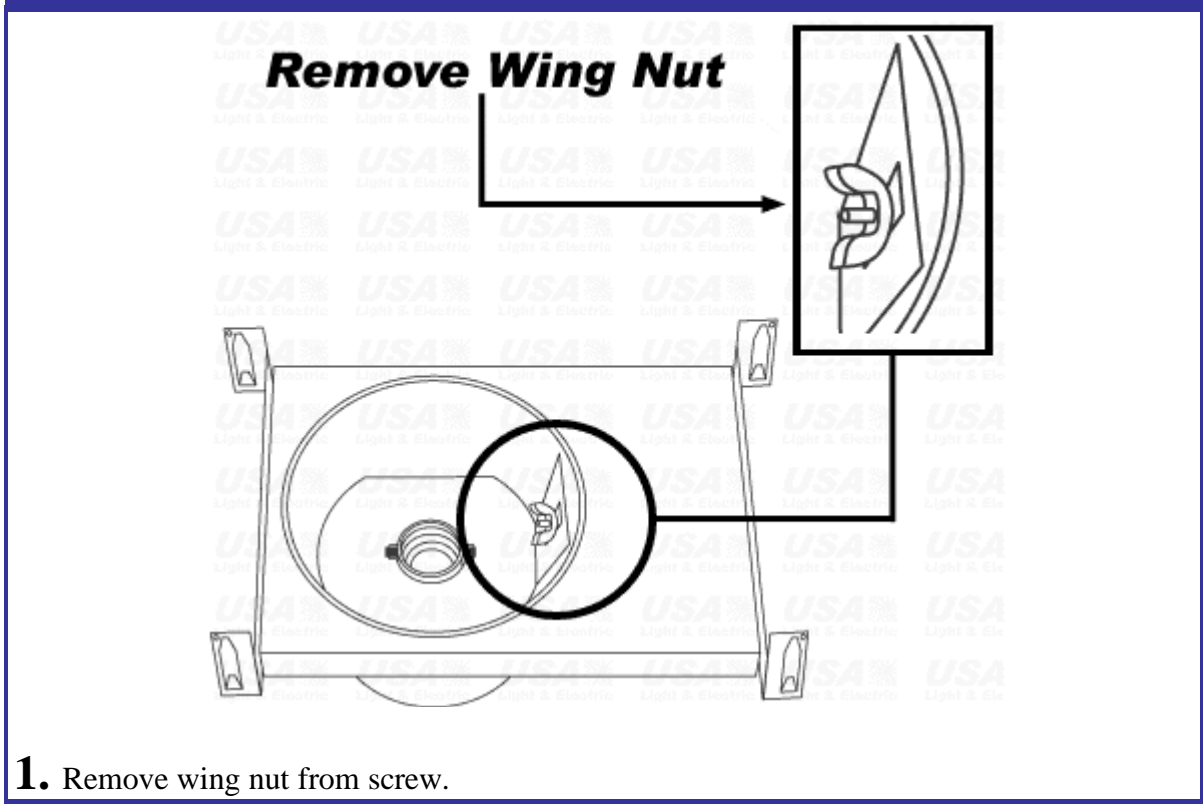
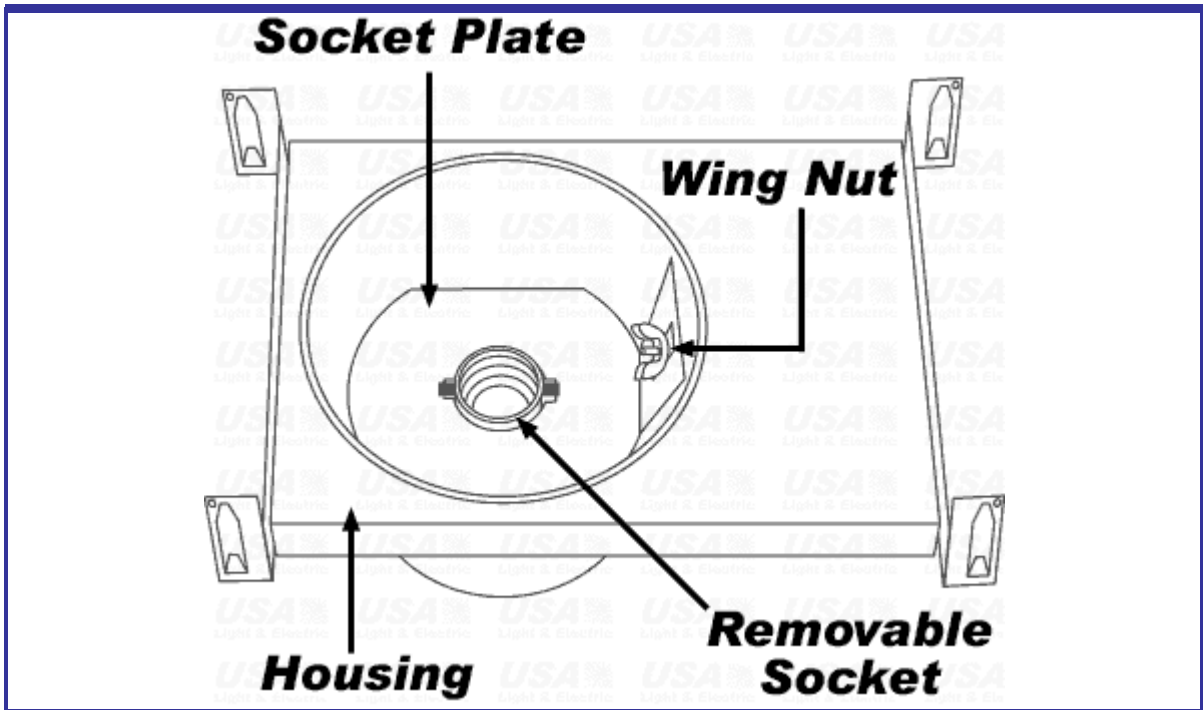
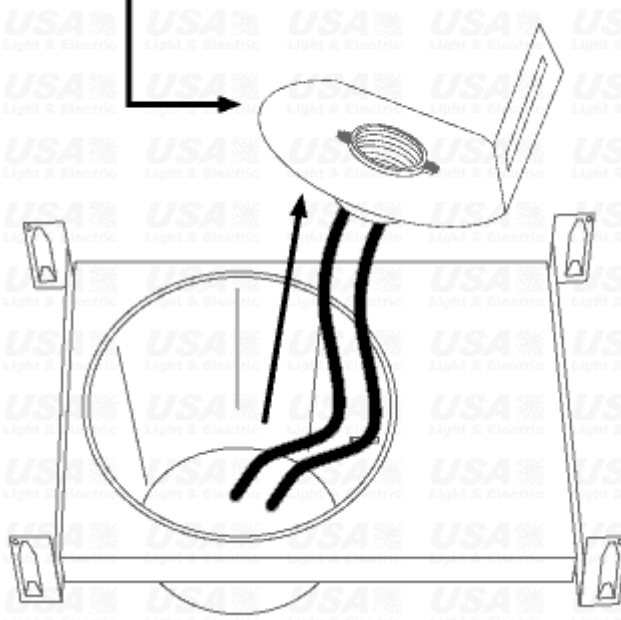


Please review the installation process before actual installation.

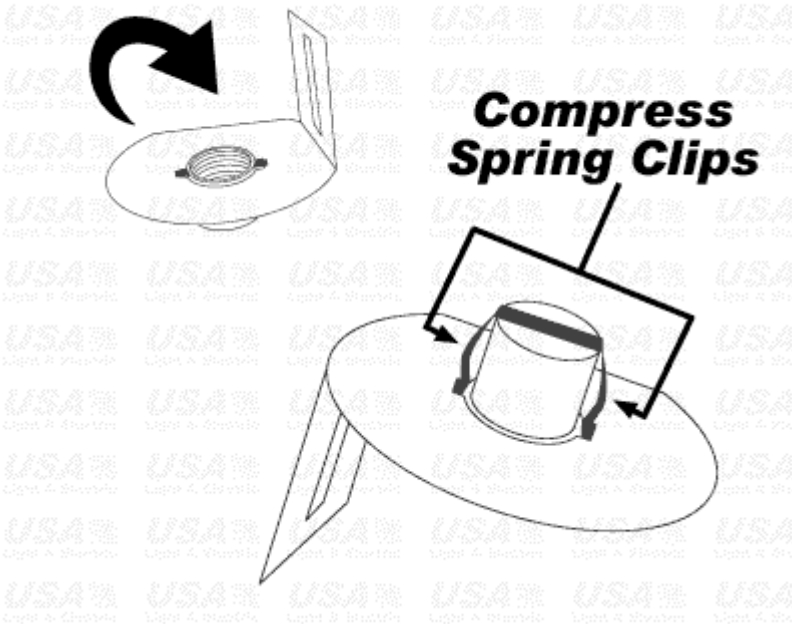


Remove Socket Plate

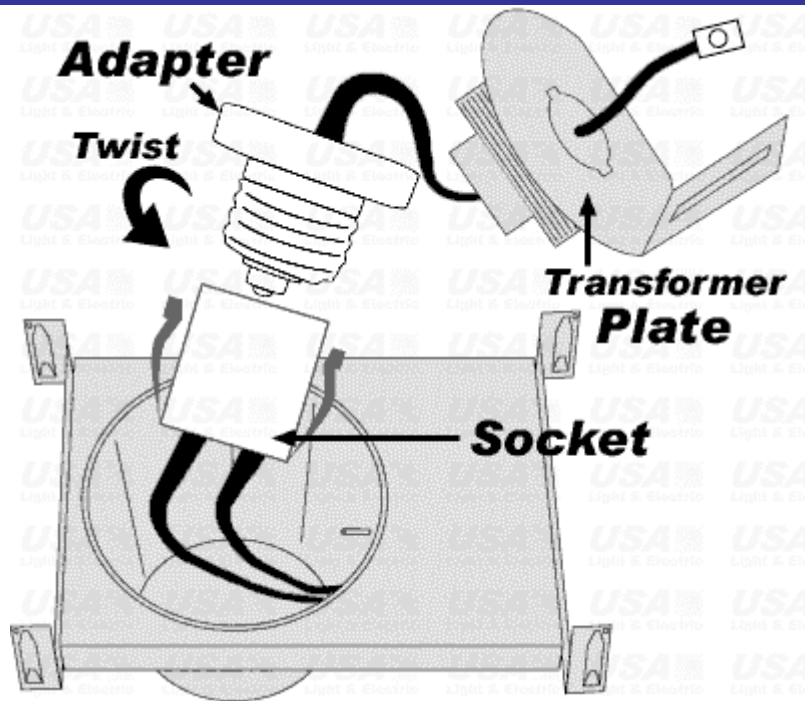


2. Remove socket plate from housing

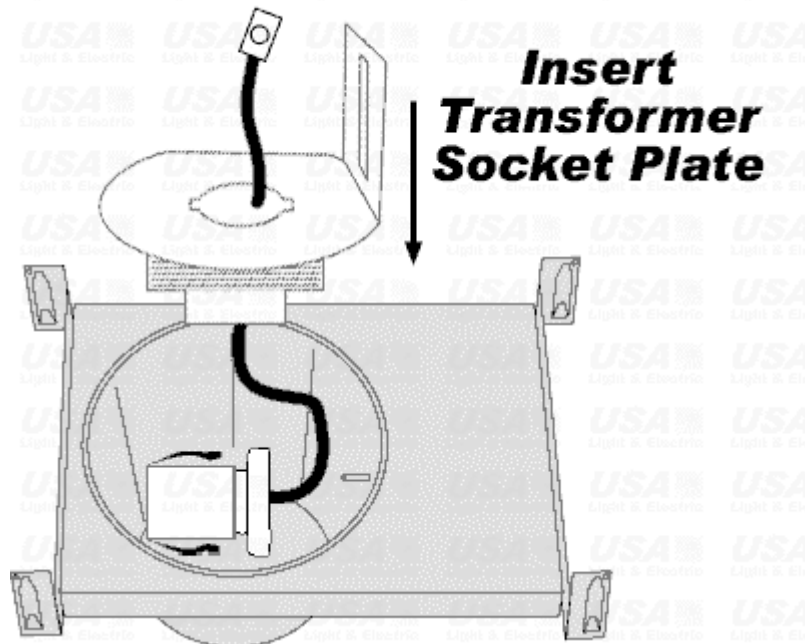
Rotate Socket Plate



3. .Unclip the removable socket by compressing spring clips on socket.

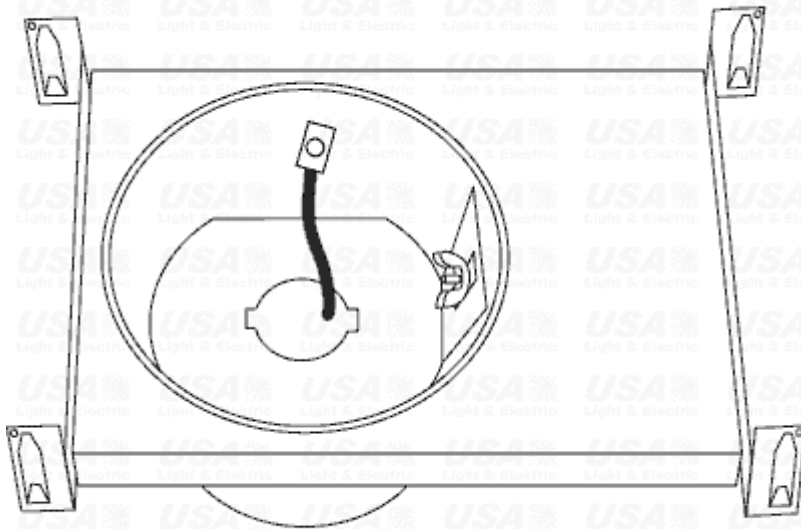


4. Screw Adapter into housing socket.



5. Slide socket plate with transformer into housing and replace wing nut on screw.

Installed



6. Transformer installed.